

# Q 200A-EK Series

## Applications:

Q 200A-EK Series magnetic snap-on contact gauge is designed for automatic control and signals transfer. When the pressure gets to the set value, the contact opens/closes the circuits. It has a magnetic electric contact.

## Specification:

Dial size: 100mm, 150mm

Case: Black steel

Bezel: Chrome plated steel with bolt locked

Window: Polycarbonate

Tube: Copper alloy

Movement: Brass

Connection: Brass

Mount: bottom or back connection, 1/2"BSP, 3/8"BSP

Contacts: single contact, double contact,

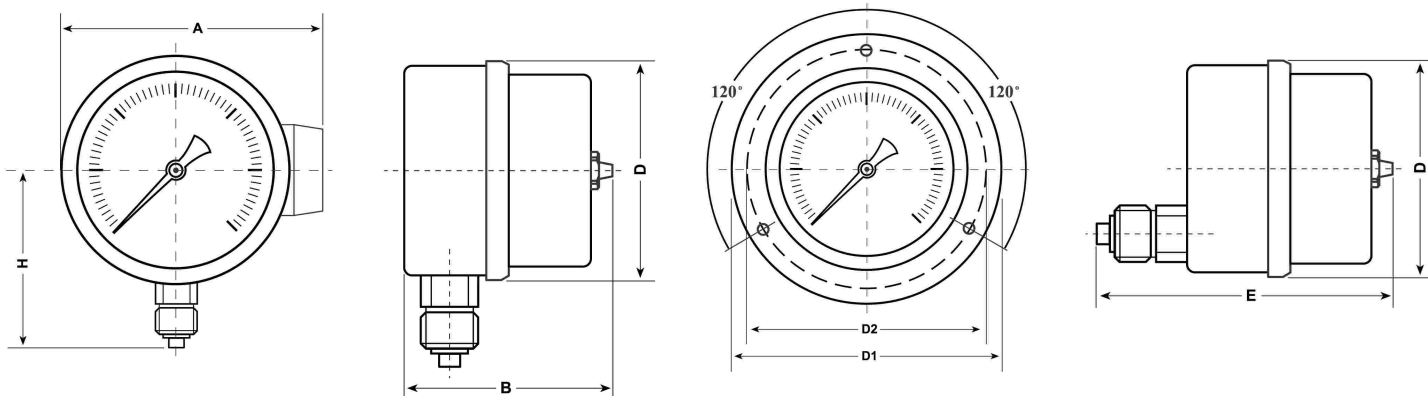
Maximum working voltage: AC380V or DC220V

Maximum current: 1A

Contact Power: 30VA

Accuracy: 1.0% according to EN 837-1,

Pressure ranges: -1-0, 0-1, 0-1.6, 0-2.5, 0-4, 0-6, 0-10, 0-16, 0-25, 0-40, 0-60, 0-100, 0-160, 0-250, 0-400Bar/Kpa or Bar/Mpa



DIAL SIZE	A	B	D	H	D1	D2	E
4"	122	88	102	92	∅130	∅116	135
6"	168.5	87	150	120	∅178	∅166	142

dimensions are approximate and can be changed without prior notice